

# **PAMS Technical Documentation**

## **NSC-1 Series Transceivers**

### **Chapter 5**

## **Transceiver Variants**

### AMENDMENT RECORD SHEET

Amendment Number	Date	Inserted By	Comments

## CONTENTS

	<b>Page No</b>
Foreword .....	5 - 4
Transceiver NSC-1NX .....	5 - 4
Modules .....	5 - 4
Exploded View of Transceiver NSC-1NX .....	5 - 5
Assembly Parts of NSC-1NX .....	5 - 6
Quick Guide .....	5 - 7
General .....	5 - 7
Memory .....	5 - 7
Menu .....	5 - 7

## Foreword

This section 5 of the service manual contains specific details for the NSC-1 handportable telephone variants.

The appendix comprises an exploded view of the NSC-1 variants (including a list of assembly parts) plus component parts lists covering the system module and the display module; and the Quick Guide, which aims to provide all user information that service personnel are likely to require during servicing and repair of equipment.

**NOTE:**        **The Service Manual is intended for use by qualified service personnel only.**

**NOTE:**        **When assembling the B-cover screws, use 17 Ncm torque.**

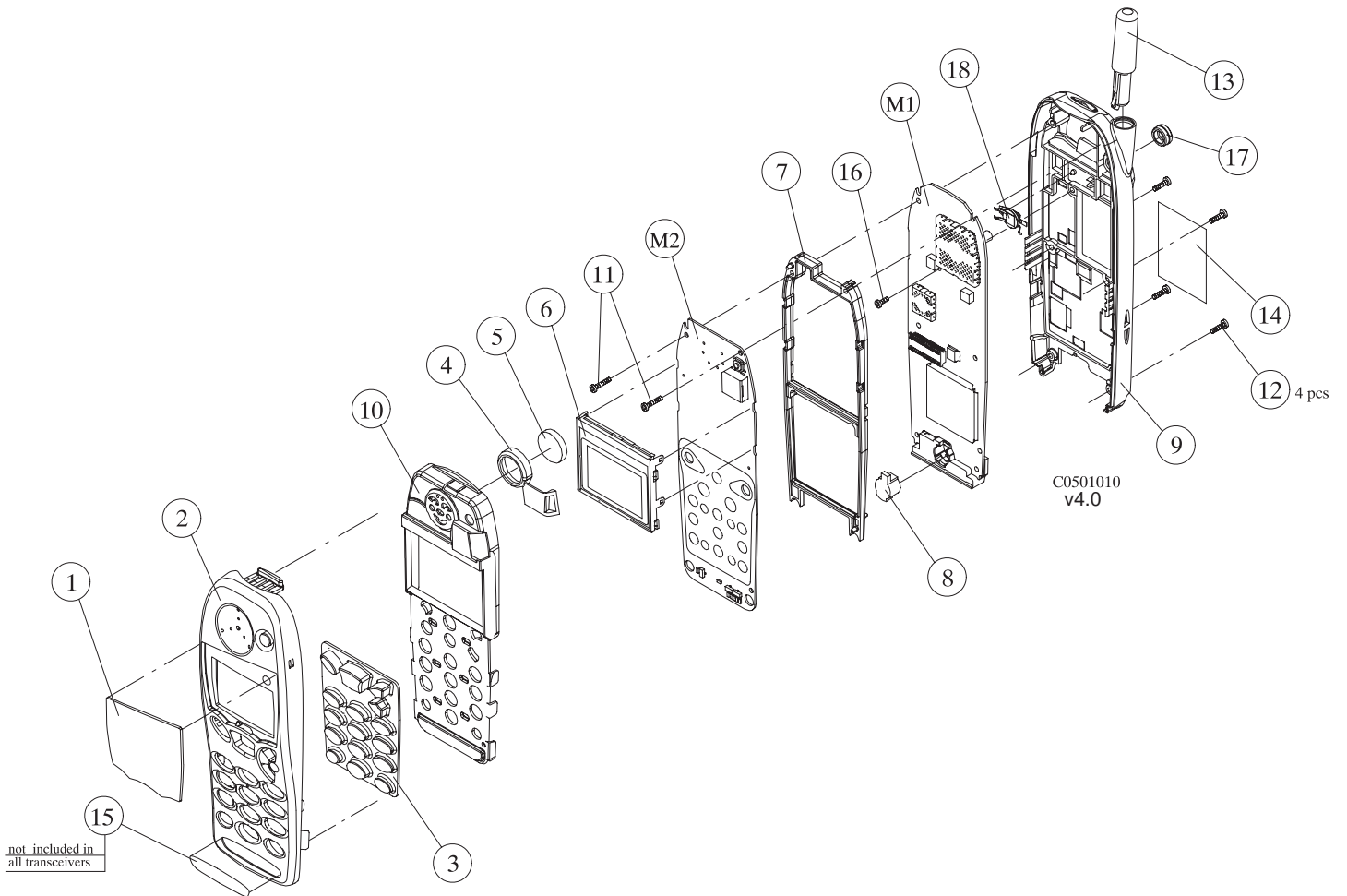
There will be several custom transceivers ( operator labeling etc.), which are based on NSC-1NX. Varying parts are, EEPROM settings, type label (printing) and co-label.

## Transceiver NSC-1NX

### Modules

Unit/type:	Product code:	Module code:
<b>Transceiver NSC-1NX</b>	0502418	
• radio module US4RSM		0201343
• display module UE4S		0201360
• mechanics MNSW1		0261802

### Exploded View of Transceiver NSC-1NX



**Assembly Parts of NSC-1NX (0261802)**

ITEM	Q'TY	CODE	DESCRIPTION	VALUE, TYPE
1		9457839	WINDOW	NSW-1 DMD04196
2		9456243	A-COVER assy (LCD/speaker gasket and power key)	
3		9790318	Keymat	
4		9460215	Transducer gasket	dmd02687
5		5140067	Speaker+spring 103+/-3DB	32R D13.D13.2
6		0200921	Display (LCD) module	GD40
7		9467028	Frame assembly	dmc01735 mnsc1
8		5140101	Microphone+boot assy	dmc00955
9		9456266	B-cover assy (inserts, metal coating and extruded RF-gasket)	dmc01736
10		9457853	C-cover assy	dmc00946 nse-1
11	2	6190015	Screw m1.6x10	dmd01750 t6 fezn cl
12	4	6190013	Screw m1.6x7	dmd01749 t6 fezn blk
13		0660166	Antenna	
14		9380529	Type label (blank)	
15		9430152	Logo label "Digital" (not on all transceivers)	
16		6190023	Screw m1.6x4 t6 fezn yel	dmd02852
17		9451139	Dust cap	dmd02859
M1		0201343	US4RSM System module	
M2		0201360	UE4S UIF module	

## Quick Guide

### General

- Make a call Area code, phone number, softkey **Call**
- End a call Softkey **End**
- Answer a call Softkey **Answer**
- Clear the display Press softkey **End** and hold "C"  
depressed
- Last number redial **Arrow up** (while display is empty)
- Lock/unlock keypad Softkey **MENU** and \*
- Adjust earpiece Scroll ^ or v (during a call)
- Emergency services Emergency number and softkey **Call**

### Memory

- Store a number (in first avail. location) **Menu, Select, Add Entry,**  
enter name, **OK**, enter number, **OK**
- Search for a number or name **Arrow down**

### Menu

- Enter menu Softkey **MENU**
- Scroll functions ^ or v
- Select displayed function **Select**
- Scroll options ^ or v select option, **OK**
- Shortcut (see list below) **MENU** *Function number*
- Exit menu Press "C"

This page intentionally left blank.